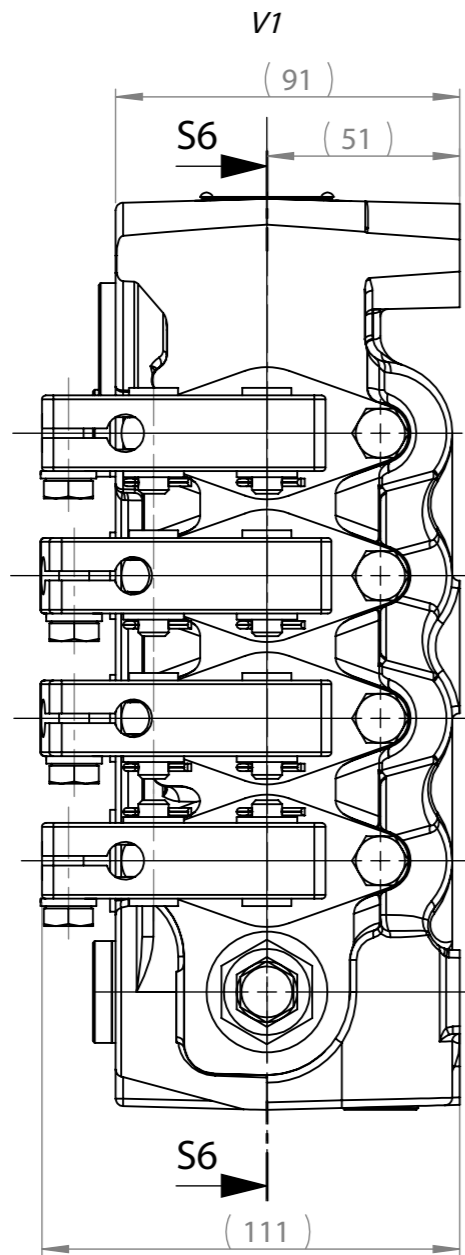
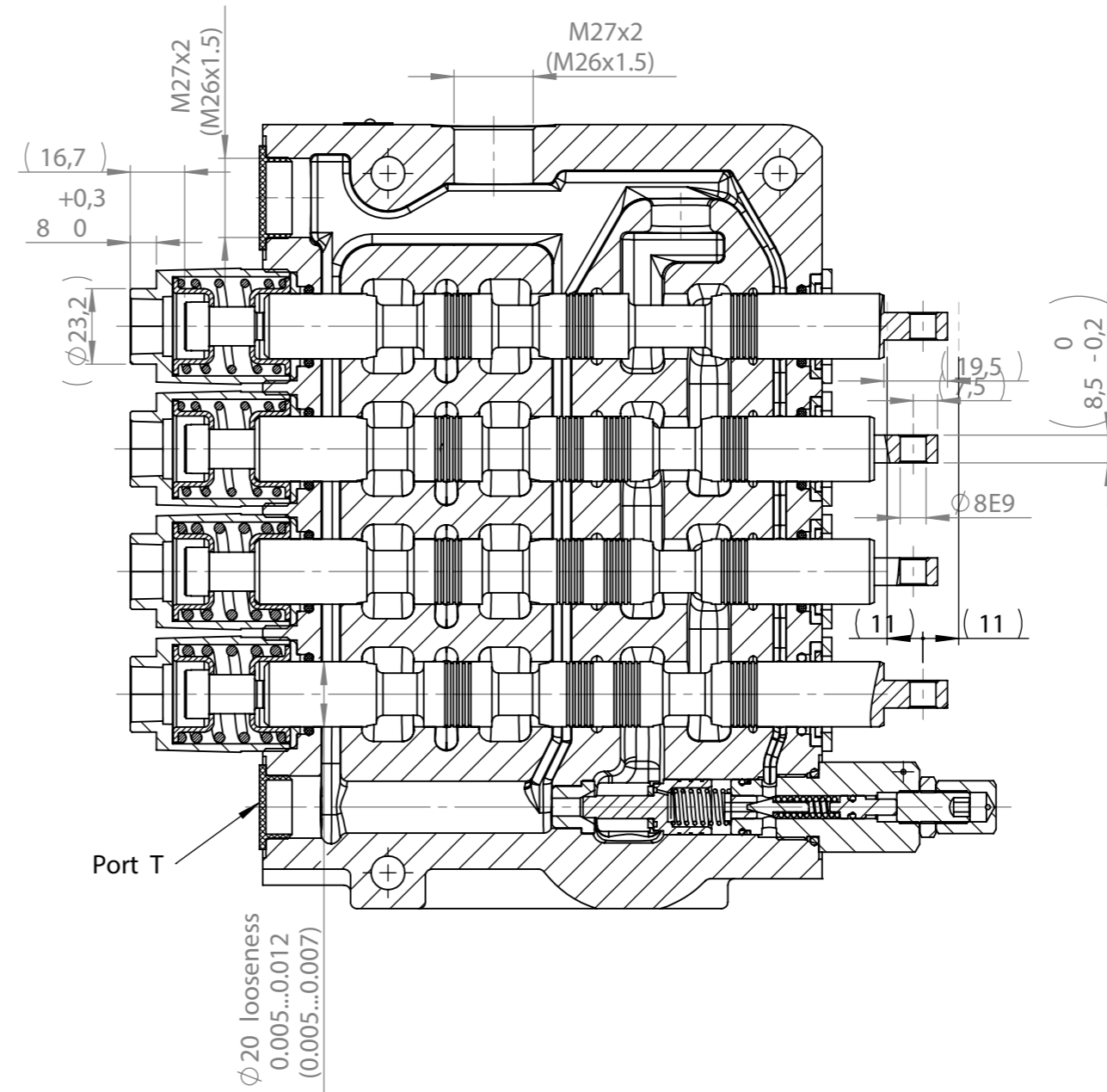


- 1. Technical parameters
- 1.1 Nominal flow- 80 dm<sup>3</sup>/min
- 1.2 Nominal pressure- 25MPa

		29.09.2008	sheet scale	1/4 1:2	material			
					description	Monoblock PX80	maca/weight kg	19.326
					N <sup>o</sup>	12680.00.00.00		



S6-S6  
Variant without details pos.34, 35, 37, 41



29.09.2008

sheet 2/4  
scale 1:2

material

description

**Monoblock PX80**

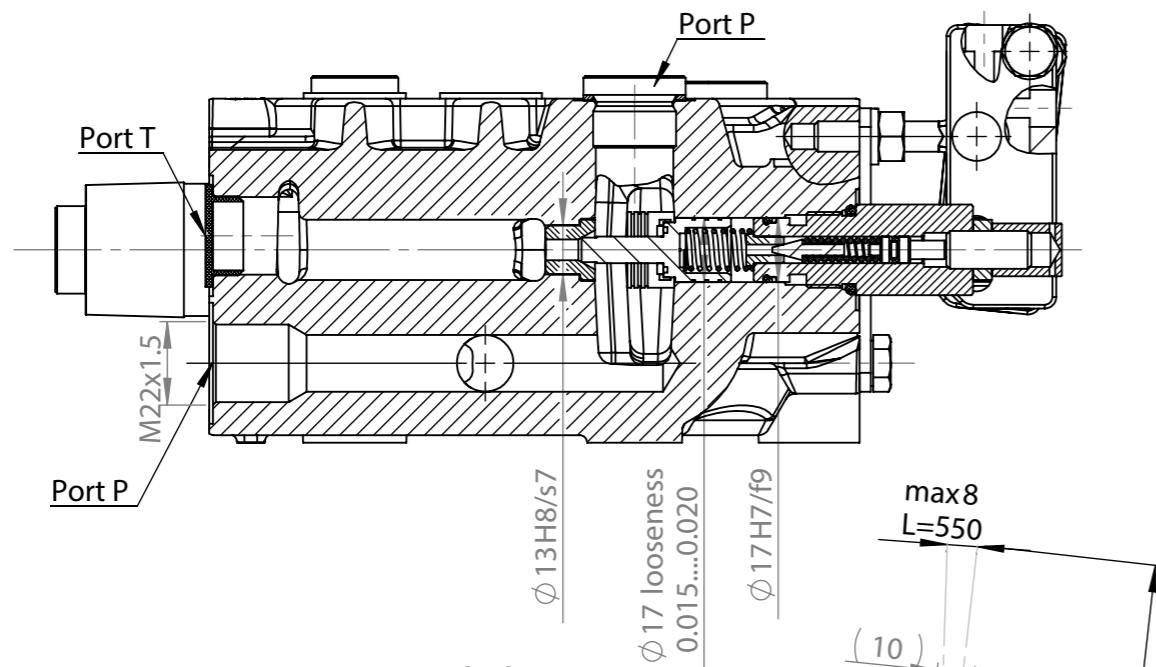
maca/weight kg  
19.326

Nº

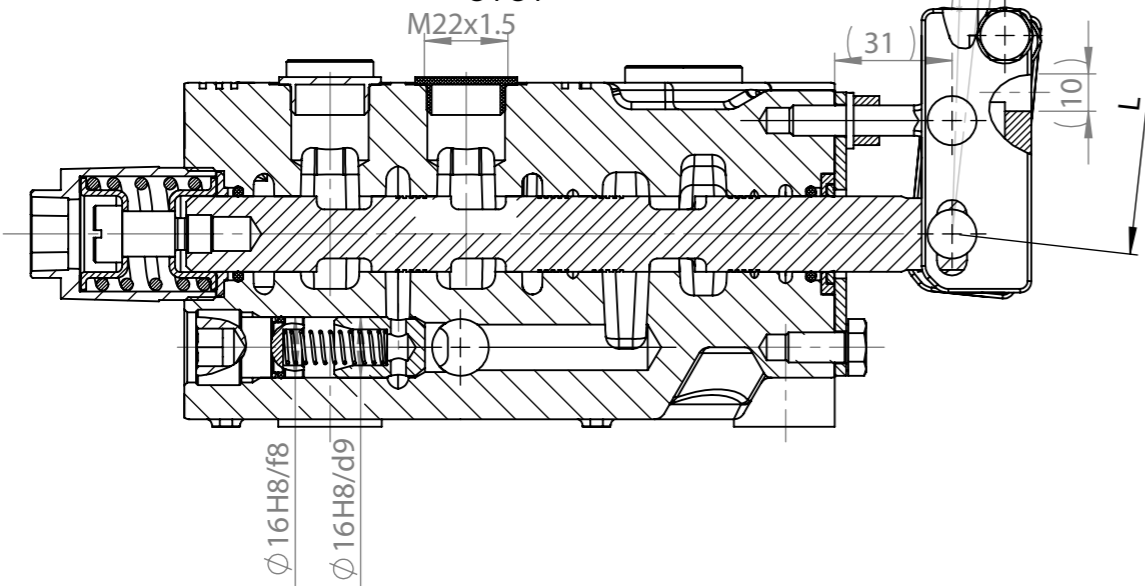
**12680.00.00.00**

12680.00.00.00

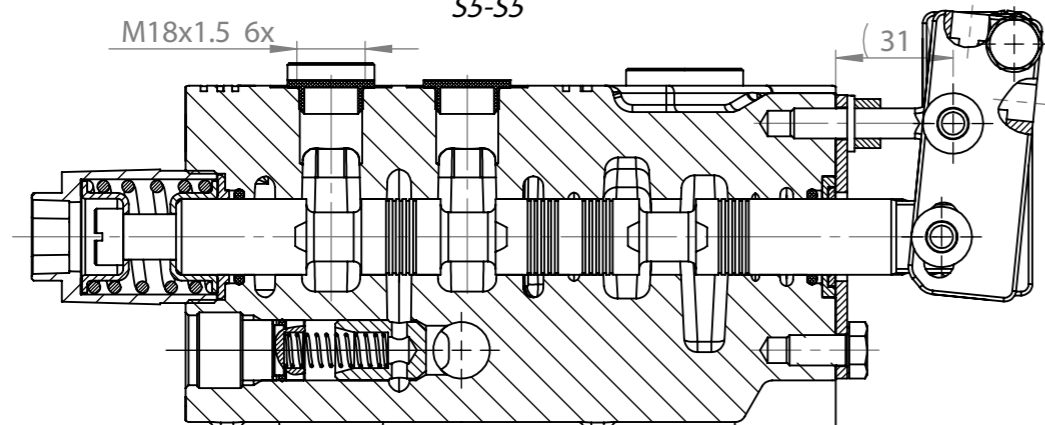
S2-S2



S4-S4

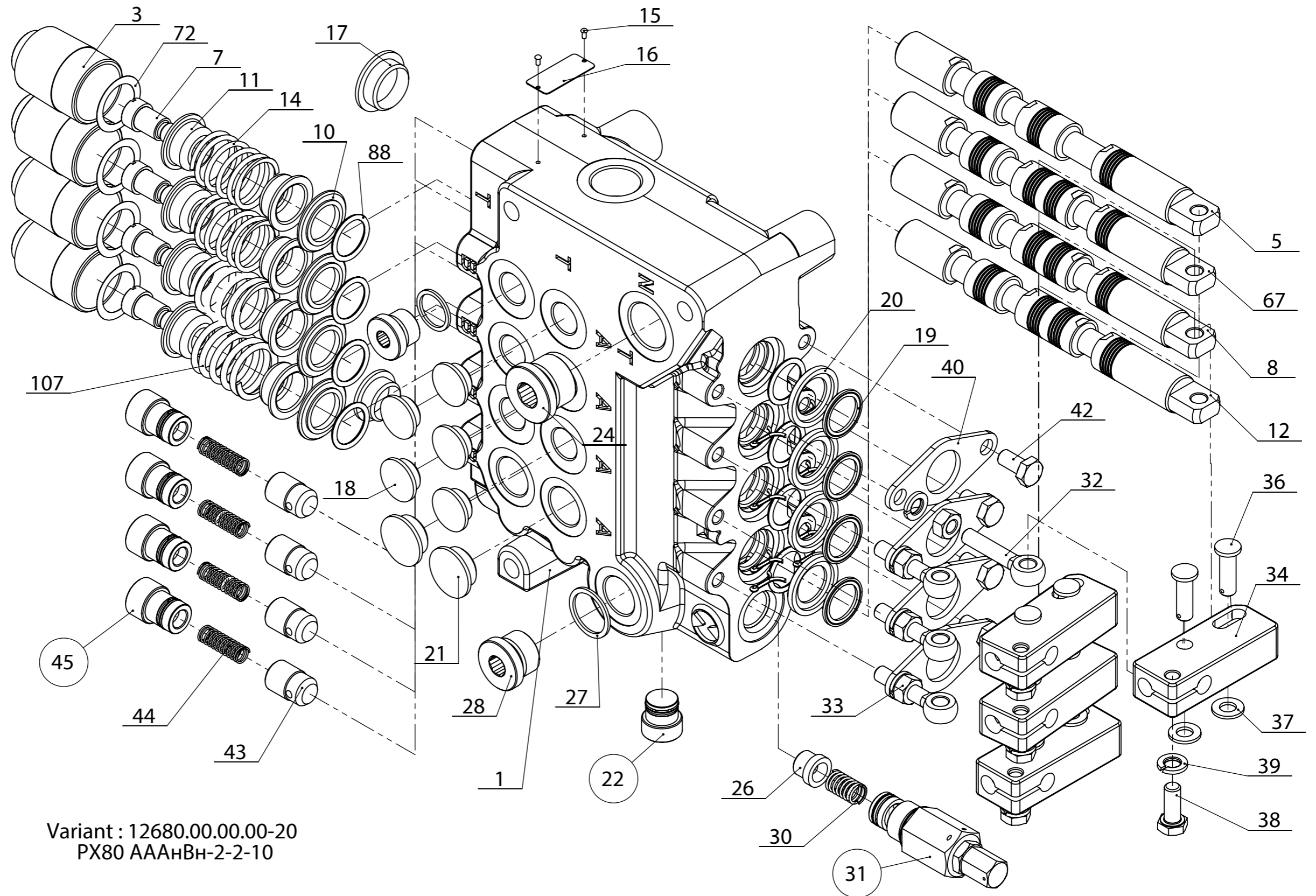


S5-S5



		29.09.2008	sheet scale	3/4 1:2	material			
					description	<b>Monoblock PX80</b>		maca/weight kg 19.326
					Nº	<b>12680.00.00.00</b>		

12680.00.00.00



Variant : 12680.00.00.00-20  
PX80 АААВВ-2-2-10

	29.09.2008	sheet	4/4	material	
		scale	1:2		
				description	
				Monoblock PX80	maca/weight kg 19.326
				Nº	
				12680.00.00.00	