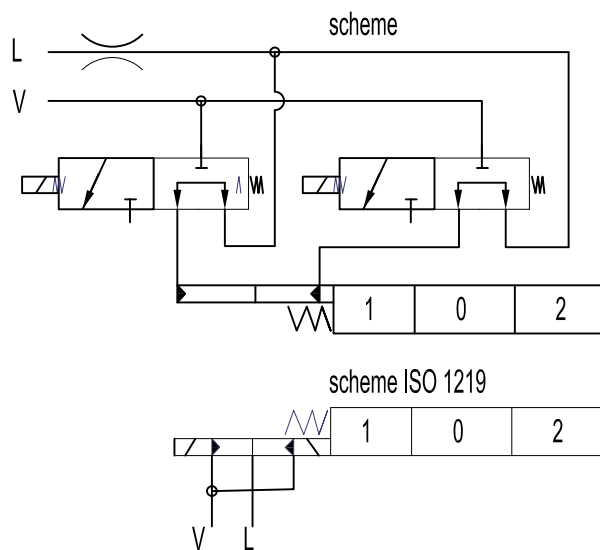
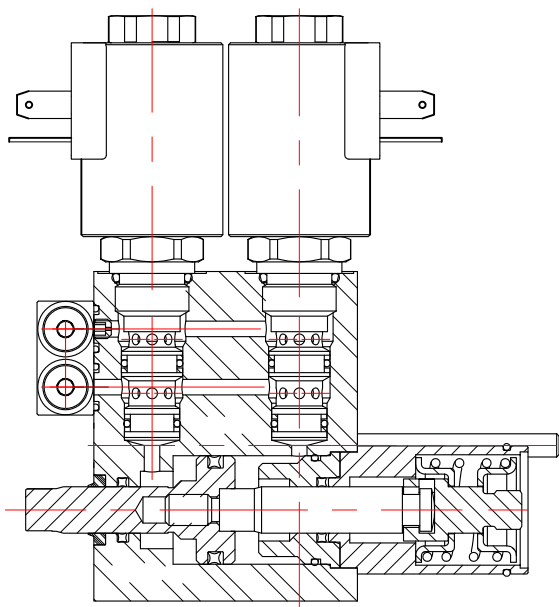


ED3 – electro-hydraulic control ON-OFF
 Электрогидравлический контрол ON-OFF



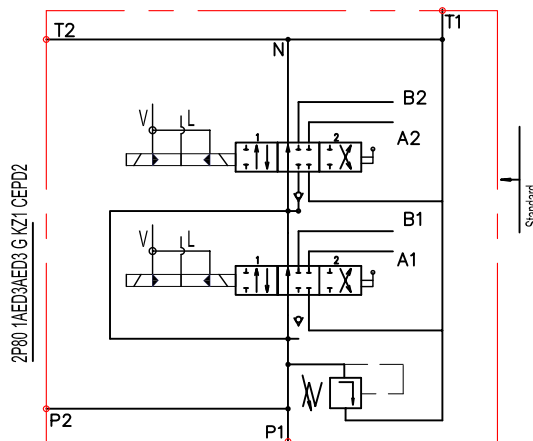
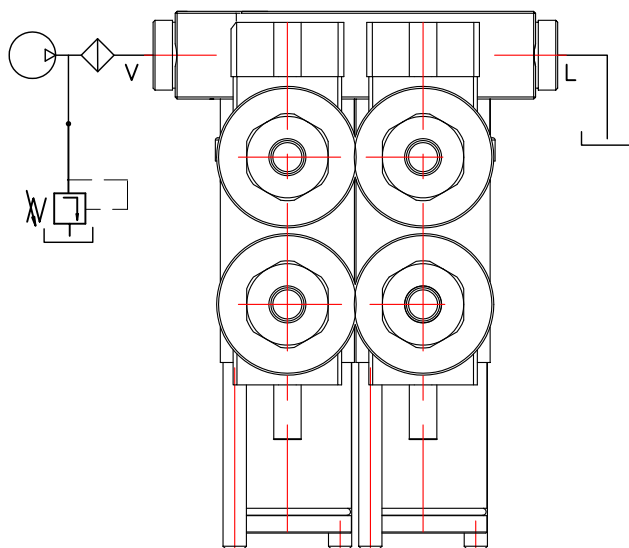
Ordering codes

3-way solenoid valve-SV08-33
 coil P80ED3-G-12VDC
 coil P80ED3-G-24VDC

Operating pressure min 10 bar(145 psi)
 max 50 bar(725 psi)
 Max operating pressure in L (T line) 25 bar(360 psi)

Solenoid operating features
 Nominal voltage tolerance ±10%
 Power rating 24W
 Duty cycle 100 %

Collector kit for external pilot and drain – CEED...(1,2,3 ...)
Коллектор для внешнего питания управления и слив



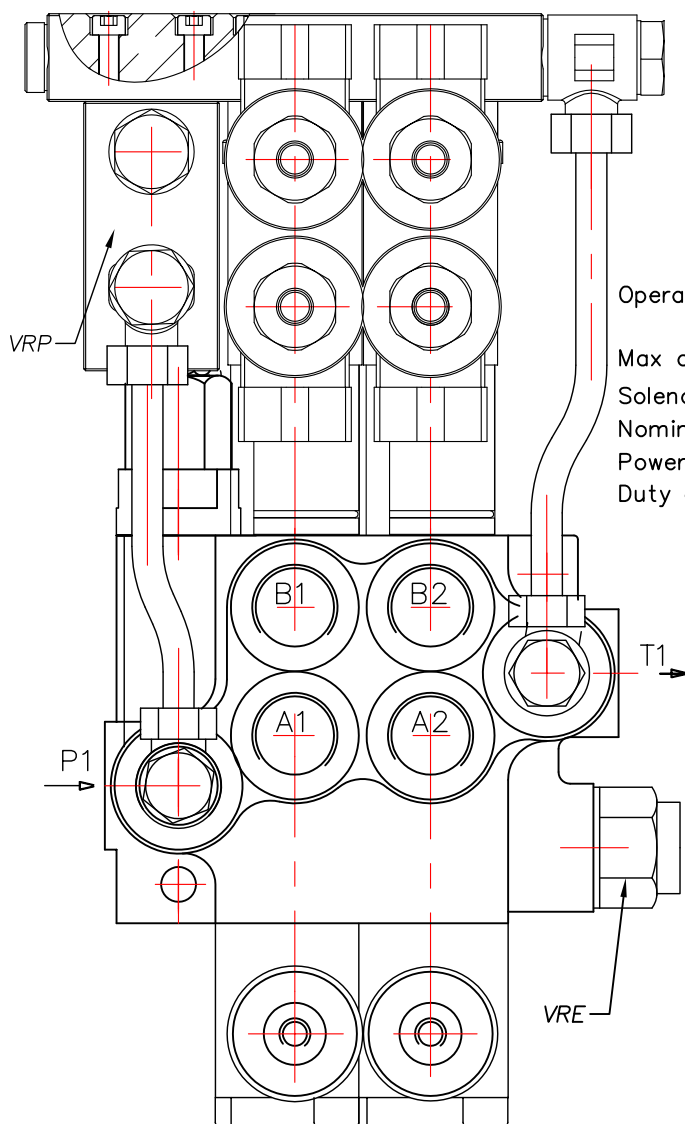
Ordering example

2P80 1A1ED3A1ED3 G KZ1-CEED2-12VDC

Ordering codes (BSP threads)

CEED1P80 Kit for 1 section
 CEED2P80 Kit for 2 section
 CEED3P80 Kit for 3 section
 CEED480 Kit for 4 sektion

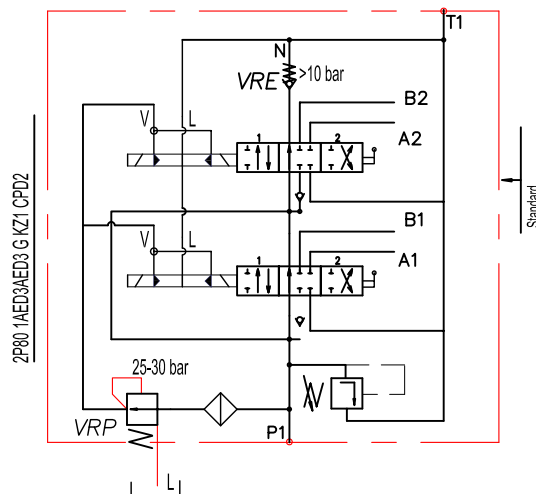
ED3 – electro-hydraulic control ON-OFF
 Электрогидравлический контрол ON-OFF



Order codes

3-way solenoid valve-LSV2-08-3C-NNN
 coil P40ED3-G-12VDC
 coil P40ED3-G-24VDC

Operating pressure	min 10 bar(145 psi) max 50 bar(725 psi)
Max operating pressure in L (T line)	25 bar(360 psi)
Solenoid operating features	
Nominal voltage tolerance	±10%
Power rating	24W
Duty cycle	100 %



Ordering example

2P80 VRP 1A1ED3A1ED3 G KZ1-CED2-VRE-12VDC

Colector kit

CED1P80
 CED2P80
 CED3P80
 CED480

**Ordering codes
 BSP threads**

Kit for 1 section
 Kit for 2 section
 Kit for 3 section
 Kit for 4 sektion

**Back pressure valve VRE-P80
 Клапан подпорный на слив**

