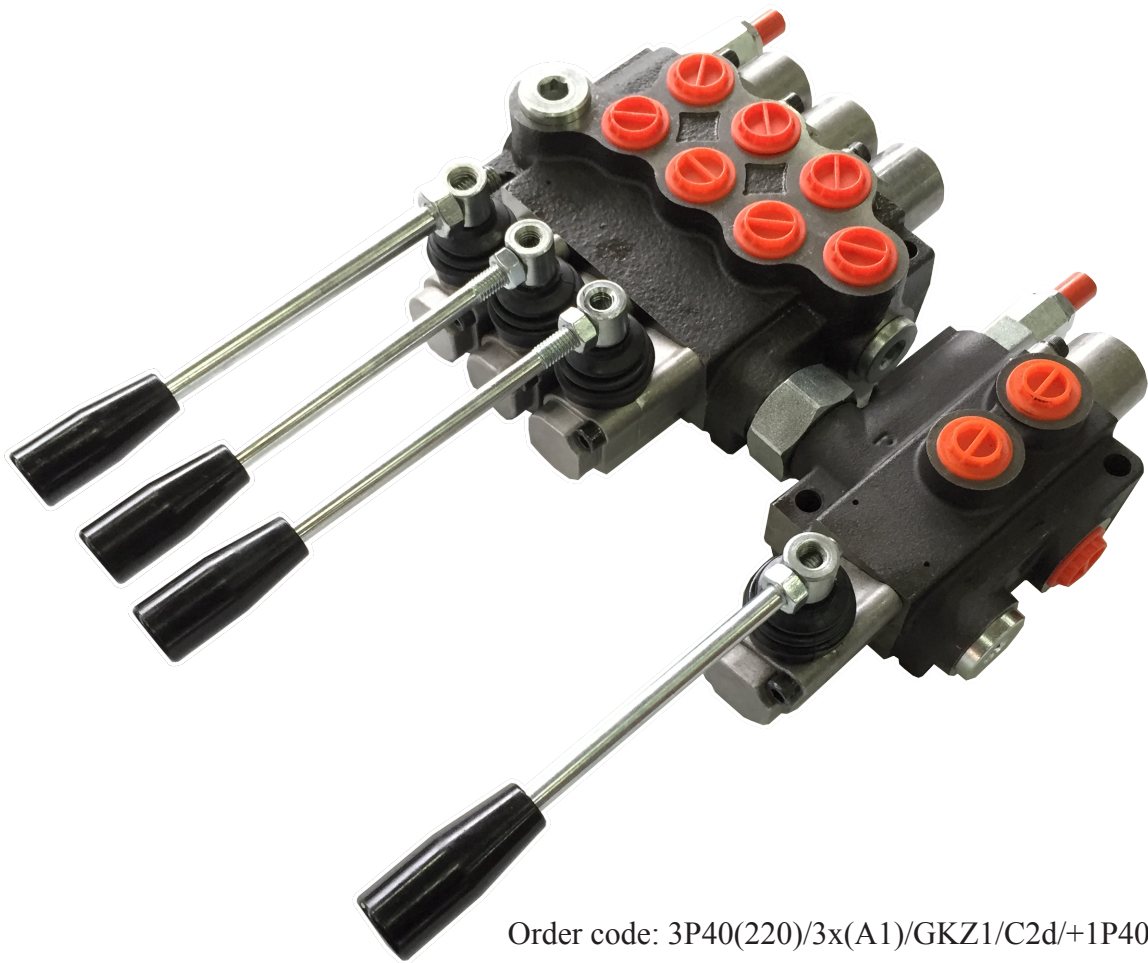


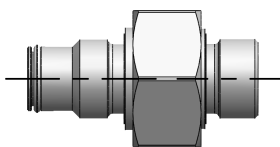
**NEW HIGH PRESSURE CARRY-OVER (DIRECT) for P40\***



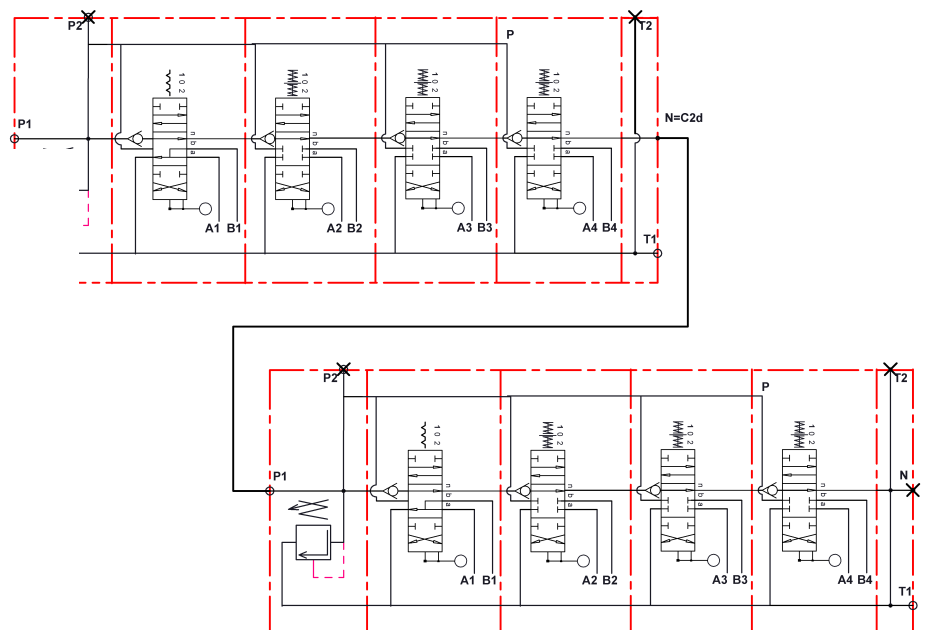
Order code: 3P40(220)/3x(A1)/GKZ1/C2d/+1P40(150)/A1/GKZ1

With this new high-pressure carry over connection you do not need any pipes and fittings, saves space and can now combine two 4P40 valves into single 8P40 which was not possible before.

Sample order code and hydraulic scheme for 2 pcs 4P40:  
4P40(220)/D8/A1/A1/A1/GKZ1/C2d/12+4P40(250)/D8/A1/A1/A1/GKZ1/11



Order code: C2D



\* Any thread standard is available - ask sales dept.; For different valves such as P80, Z80 you have to ask sales dept.